

0603 Low Profile SMD LEDs

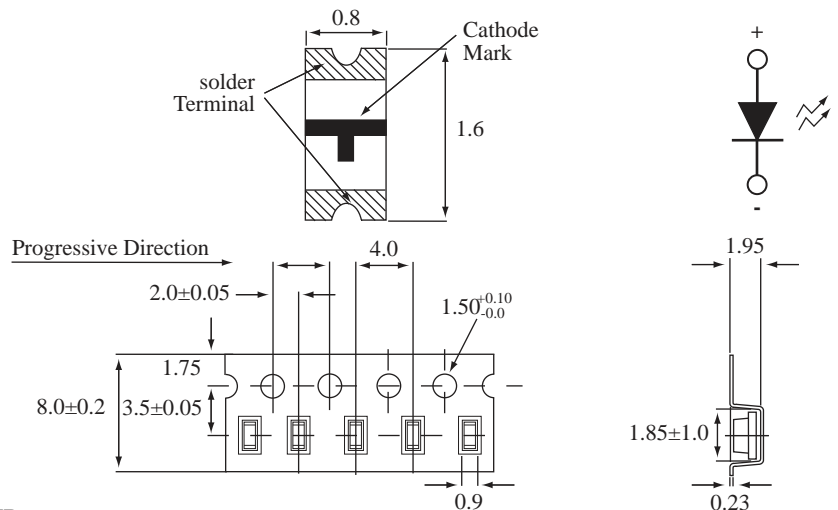
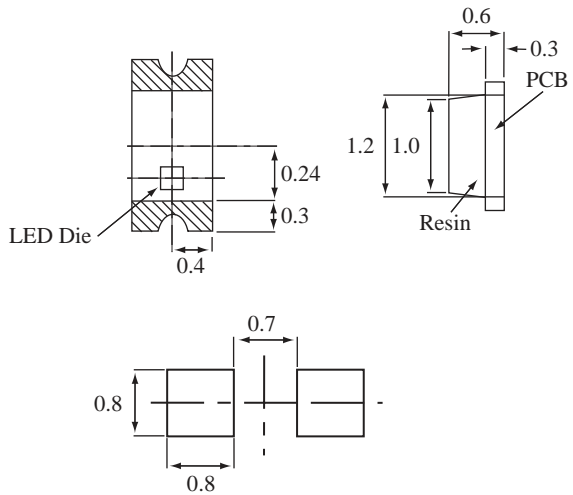
0603 Chip Size Surface Mount LED

Suitable for Membrane Switch,
Telecommunication, LCD and
Automotive Applications

8mm Tape & Reel for Automated Placement

4,000 Pieces per Reel

RoHS Compliant



Polarity for Cathode Mark is reversed on the SR/HR

Part Number	Power Dissipation	Peak Forward Current	Continuous Forward Current	Reverse Voltage	Operating Temp Range	Storage Temp Range	Soldering Temp
ML192L-SRW-T	60mW	100mA	25mA	5V	-40°C ~ +80°C	-40°C ~ +85°C	260°C for 5 Sec
ML192Z-YGW-T	72mW	100mA	30mA	5V	-40°C ~ +80°C	-40°C ~ +85°C	260°C for 5 Sec
ML192X-YW-T	60mW	100mA	25mA	5V	-40°C ~ +80°C	-40°C ~ +85°C	260°C for 5 Sec
ML192V-BW-T	100mW	70mA	25mA	5V	-40°C ~ +80°C	-40°C ~ +85°C	260°C for 5 Sec
ML192V-PGW-T	95mW	100mA	25mA	5V	-40°C ~ +80°C	-40°C ~ +85°C	260°C for 5 Sec
ML192N-SYGW-T	60mW	100mA	25mA	5V	-40°C ~ +80°C	-40°C ~ +85°C	260°C for 5 Sec
ML192N-HRW-T	60mW	100mA	25mA	5V	-40°C ~ +80°C	-40°C ~ +85°C	260°C for 5 Sec
ML192V-WYD-T	95mW	100mA	25mA	5V	-40°C ~ +80°C	-40°C ~ +85°C	260°C for 5 Sec
ML192F-AW-T	60mW	100mA	25mA	5V	-40°C ~ +80°C	-40°C ~ +85°C	260°C for 5 Sec
ML192N-UAW-T	60mW	100mA	25mA	5V	-40°C ~ +80°C	-40°C ~ +85°C	260°C for 5 Sec

Part Number	Lighting Colour	Die Material	V _F			Peak Wavelength typ (nm)	Dominant Wavelength typ (nm)	I _V			Viewing Angle (deg)
			I _F (mA)	typ (V)	max (V)			I _F (mA)	min (mcd)	typ (mcd)	
ML192L-SRW-T	Super Red	GaAlAs	1.6	2.0	2.4	660	640	20	5	10	140°
ML192Z-YGW-T	Yellow Green	GaP	1.5	2.0	2.4	575	573	20	3	7	140°
ML192X-YW-T	Yellow	GaAsP/GaP	1.6	2.0	2.4	592	589	20	3	7	140°
ML192V-BW-T	Blue	InGaN	-	3.5	4.0	468	470	20	11	18	120°
ML192V-PGW-T	Pure Green	InGaN	2.8	3.4	3.8	520	525	20	60	180	140°
ML192N-SYGW-T	S Yellow Green	AlGaInP	1.6	2.0	2.4	575	573	20	10	25	140°
ML192N-HRW-T	Hyper Red	AlGaInP	1.6	2.0	2.4	632	624	20	20	40	140°
ML192V-WYD-T	White	InGaN	2.8	3.4	3.8	-	-	20	60	180	140°
ML192F-AW-T	Amber	GaAsP	1.6	2.0	2.4	610	605	20	2	6	140°
ML192N-UAW-T	Ultra Amber	AlGaInP	1.6	2.0	2.4	610	605	20	15	25	140°

MEMCON (Asia) Limited
Units 5/6 6/F Westley Square
48 Hoi Yuen Rd Kwun Tong Hong Kong
T +852 3741 1411 F +852 3747 8980
www.memcon.asia sales@memcon.asia

MEMCON Limited
Compass House Vision Park Chivers Way HISTON
Cambridge CB24 9AD United Kingdom
T +44 1223 257724 F +44 1223 257800
www.memcon.eu sales@memcon.eu

MEMCON North America
6000 Red Arrow Hwy Unit 1
Stevensville Michigan 49127 USA
T +1 269 281 0478 F +1 269 466 6034
www.memcon.net sales@memcon.net