

# MPTA Series PCB Headers

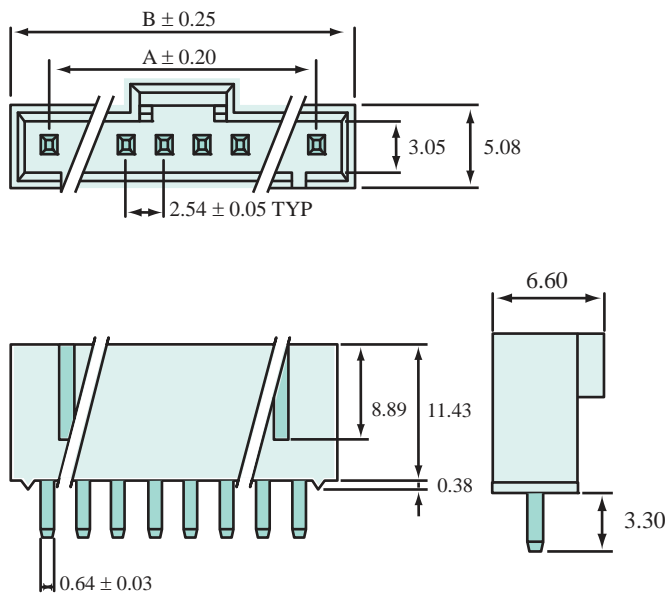
2-18 Ways Available  
 Mates with MHL & MHLA Housings  
 Contact 0.64mm Square Pin  
 Temperature Range -25°C to +85°C  
 Current Rating 2.5A AC, DC  
 Withstand Voltage 600AC

Voltage Rating 250V AC, DC  
 PBT UL 94VO Black  
 Standard Gold Plated  
 Insulation Resistance 1,000M Ω

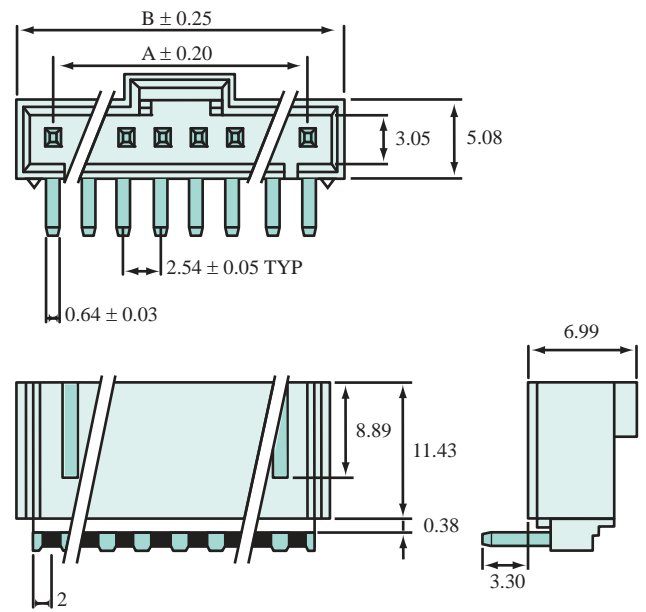
RoHS Compliant



## Straight (S)



## Right Angle (R)



No of Ways	Part No	Dimension mm	
		A	B
2	MPTA X-02	2.54	7.62
3	MPTA X-03	5.08	10.16
4	MPTA X-04	7.62	12.70
5	MPTA X-05	10.16	15.24
6	MPTA X-06	12.70	17.78
7	MPTA X-07	15.24	20.32
8	MPTA X-08	17.78	22.86
9	MPTA X-09	20.32	25.40
10	MPTA X-10	22.86	27.94

No of Ways	Part No	Dimension mm	
		A	B
11	MPTA X-11	25.40	30.48
12	MPTA X-12	27.94	33.02
13	MPTA X-13	30.48	35.56
14	MPTA X-14	33.02	38.10
15	MPTA X-15	35.56	40.64
16	MPTA X-16	38.10	43.18
17	MPTA X-17	40.64	45.72
18	MPTA X-18	43.18	48.26

