

1206 Super Slim SMD LEDs for Membrane Switches

0.35mm High Super Slim LEDs
ideal for keeping Spacer Thickness to a
minimum in Membrane Applications

Wide Brightness & Colour Range

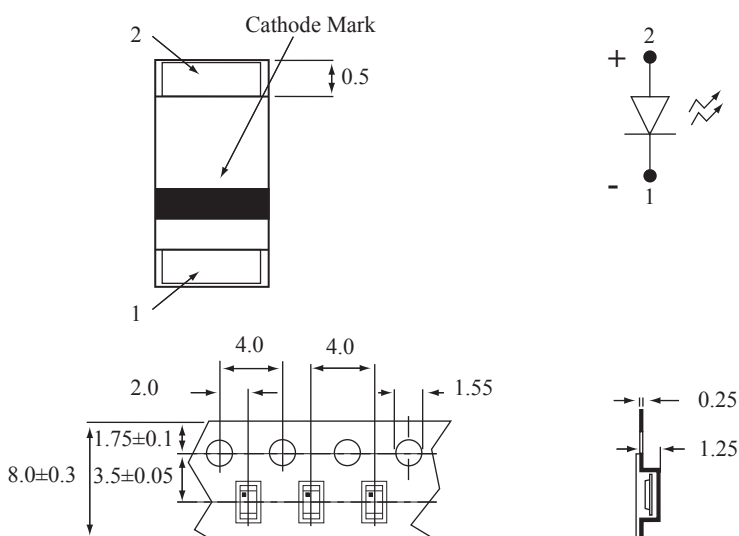
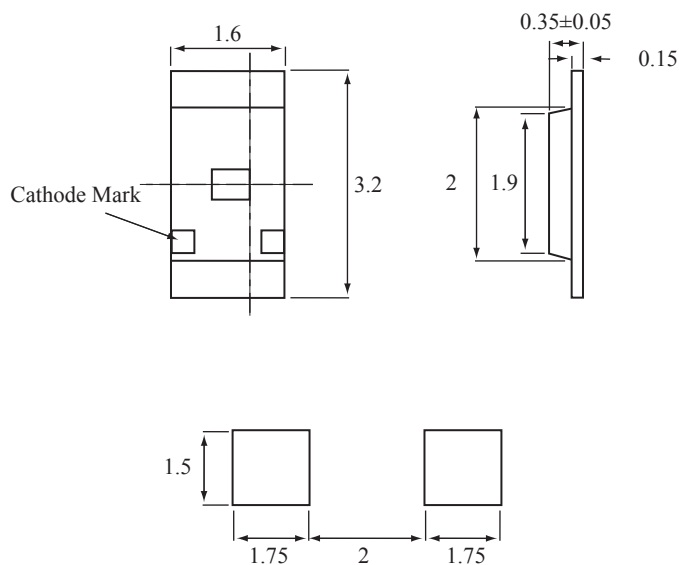
Colour Diffused Lens also Available

ESD 2000V for Blue & White
Other colours 4000V

8mm Tape & Reel for Automated Placement

2,000 Pieces per Reel

RoHS Compliant



| Part Number | Power Dissipation | Peak Forward Current | Continuous Forward Current | Reverse Voltage | Operating Temp Range | Storage Temp Range | Soldering Temp |
|-------------|-------------------|----------------------|----------------------------|-----------------|----------------------|--------------------|------------------|
| ML153N-RWT | 78mW | 150mA | 30mA | 5V | -40°C ~ +85°C | -40°C ~ +85°C | 260°C for 10 Sec |
| ML153N-OWT | 72mW | 100mA | 30mA | 5V | -40°C ~ +85°C | -40°C ~ +85°C | 260°C for 10 Sec |
| ML153N-YWT | 78mW | 100mA | 30mA | 5V | -40°C ~ +85°C | -40°C ~ +85°C | 260°C for 10 Sec |
| ML153N-GWT | 78mW | 100mA | 30mA | 5V | -40°C ~ +85°C | -40°C ~ +85°C | 260°C for 10 Sec |
| ML153G-BWT | 120mW | 100mA | 30mA | 5V | -40°C ~ +85°C | -40°C ~ +85°C | 260°C for 10 Sec |
| ML153G-WWT | 99mW | 100mA | 30mA | 5V | -40°C ~ +85°C | -40°C ~ +85°C | 260°C for 10 Sec |

| Part Number | Lighting Colour | Die Material | V _F | | | Peak Wavelength typ (nm) | Dominant Wavelength typ (nm) | I _v | | | Viewing Angle (deg) |
|-------------|-----------------|--------------|---------------------|---------|---------|-----------------------------|---------------------------------|---------------------|-----------|-----------|---------------------|
| | | | I _F (mA) | typ (V) | max (V) | | | I _F (mA) | min (mcd) | typ (mcd) | |
| ML153N-RWT | Red | AlGaInP | 20 | 2.4 | 2.6 | 650 | 630 | 20 | 35 | 90 | 130° |
| ML153N-OWT | Amber | AlGaInP | 20 | 2.0 | 2.4 | 618 | 610 | 20 | 30 | 110 | 130° |
| ML153N-YWT | Super Yellow | AlGaInP | 20 | 2.0 | 2.6 | 592 | 590 | 20 | 35 | 135 | 130° |
| ML153N-GWT | Super Green | AlGaInP | 20 | 2.1 | 2.6 | 570 | 574 | 20 | 25 | 70 | 130° |
| ML153G-BWT | Super Blue | GaN | 20 | 3.5 | 4.0 | | 470 | 20 | 35 | 100 | 130° |
| ML153G-WWT | White | GaN | 20 | 3.5 | 4.0 | | | 20 | 110 | 300 | 130° |

MEMCON (Asia) Limited
Units 5/6 6/F Westley Square
48 Hoi Yuen Rd Kwun Tong Hong Kong
T +852 3741 1411 F +852 3747 8980
www.memcon.asia sales@memcon.asia

MEMCON Limited
Unit 8 Campus Five Third Avenue LETCHWORTH
Hertfordshire SG6 2JF United Kingdom
T +44 1462 371477 F +44 1462 677499
www.memcon.eu sales@memcon.eu

MEMCON North America
6000 Red Arrow Hwy Unit 1
Stevensville Michigan 49127 USA
T +1 269 281 0478 F +1 269 593 5952
www.memcon.net sales@memcon.net