

**NEW**



# Polarized & Locking Housing MH1L Series

Designed for use on Membrane  
Switches, Flexible Circuits, Jumper  
Cables, Sensors, Textile Ribbons etc

Suitable for use with Long Square  
Male Contacts MSMC410 & MRSMC756

Mates with MHL, MHM, MHJ and  
Industry Standard Housings

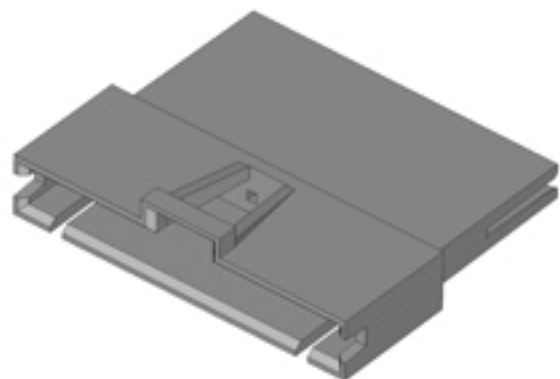
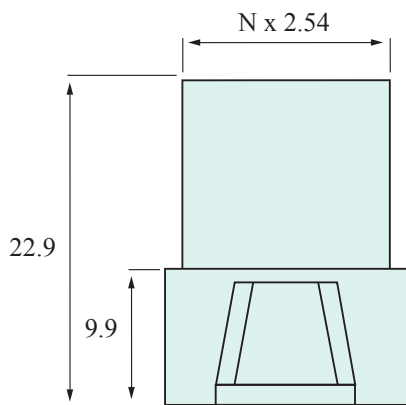
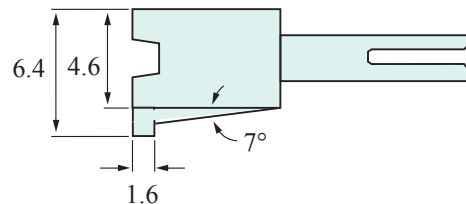
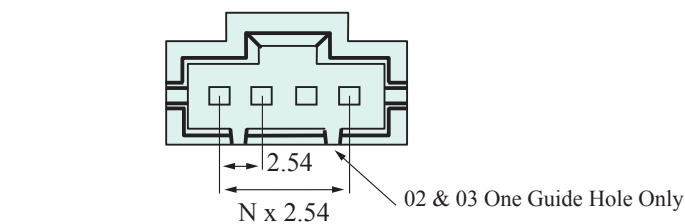
2.54mm Pitch

UL 94V-O Classified

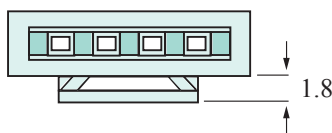
Thermoplastic with Glass Fibre

Contact your Local Office for Application/  
Crimping Equipment

RoHS Compliant



Unit : mm



**MH1L**

**Series**

**XX**

**No of Ways (2-25)**

**MEMCON (Asia) Limited**  
Units 5/6 6/F Westley Square  
48 Hoi Yuen Rd Kwun Tong Hong Kong  
T +852 3741 1411 F +852 3747 8980  
www.memcon.asia sales@memcon.asia

**MEMCON Limited**  
Unit 8 Campus Five Third Avenue Letchworth  
Hertfordshire SG6 2JF United Kingdom  
T +44 1462 371477 F +44 1462 677499  
www.memcon.eu sales@memcon.eu

**MEMCON North America**  
6000 Red Arrow Hwy Unit I  
Stevensville Michigan 49127 USA  
T +1 269 281 0478 F +1 269 593 5952  
www.memcon.net sales@memcon.net