

**NEW**



# Polarized & Locking 1.27mm Double Row Housing MH937

Designed for use on Membrane Switches, Flexible Circuits, Jumper Cables, Sensors, Textile Ribbons etc

Mates with Industry Standard 0.40mm Walled Pin Headers

Suitable for use with Female Contacts

1.27mm Pitch

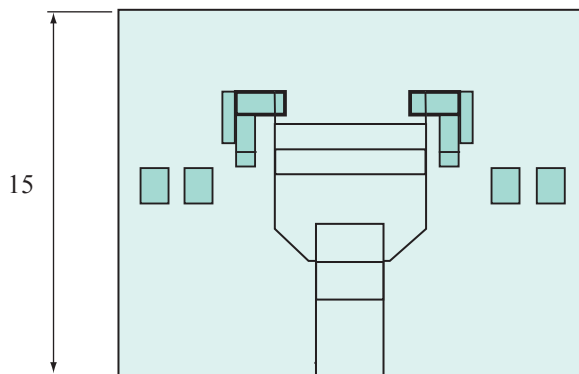
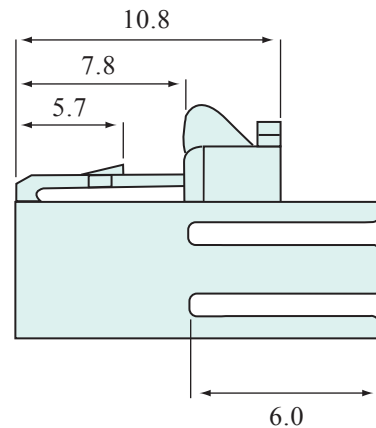
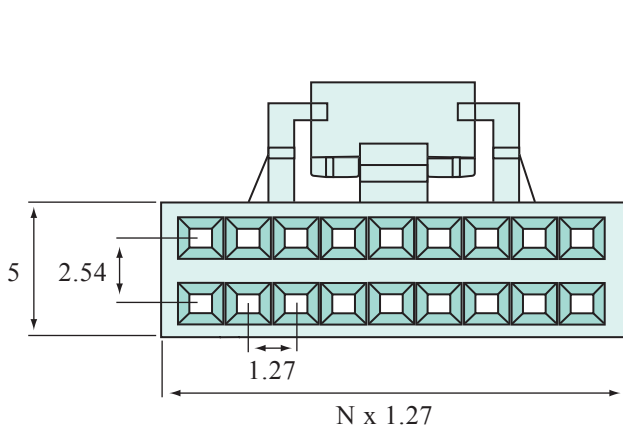
UL 94V-O Classified

Thermoplastic with Glass Fibre

Contact your Local Office for Application/Crimping Equipment Non Polarized and Non Latching

Variations also Available

RoHS Compliant



Unit : mm

**MH937**

Series

—

**XX**

No of Ways 8 (2x4) - 100 (2x50)

**MEMCON (Asia) Limited**  
Units 5/6 6/F Westley Square  
48 Hoi Yuen Rd Kwun Tong Hong Kong  
T +852 3741 1411 F +852 3747 8980  
www.memcon.asia sales@memcon.asia

**MEMCON Limited**  
Unit 8 Campus Five Third Avenue LETCHWORTH  
Hertfordshire SG6 2JF United Kingdom  
T +44 1462 371477 F +44 1462 677499  
www.memcon.eu sales@memcon.eu

**MEMCON North America**  
6000 Red Arrow Hwy Unit I  
Stevensville Michigan 49127 USA  
T +1 269 281 0478 F +1 269 593 5952  
www.memcon.net sales@memcon.net