

MHWA Series Housing

Discrete Wire To Flat Cable

Ideal for connecting discrete wire to Membrane Switches/Flat Cable

Use with Female Terminal MFWCA or Male Terminal MMWCA

2.54mm Pitch, Colour Black

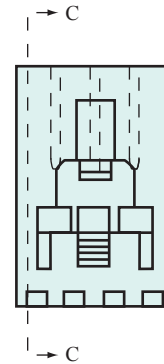
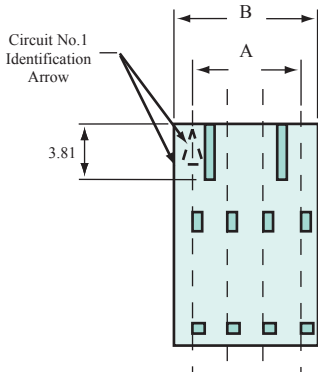
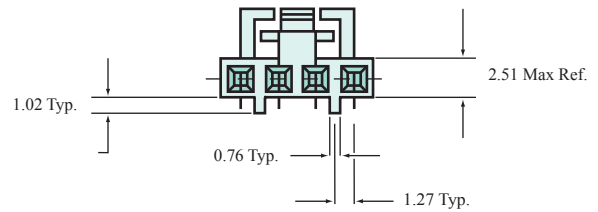
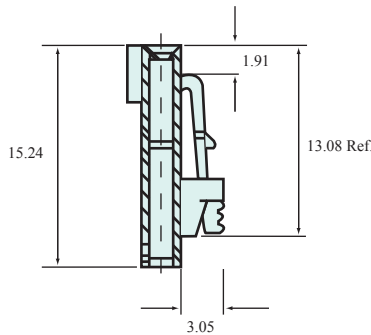
Available in 2 - 25 Ways

Mates with MHEWA Housing or MPTA Series PCB Headers and other Industry Standard Flat Cable Connectors

Temperature Range -25°C to +85°C

Material: PBT 94V-0 30% Glass

RoHS Compliant



No of Ways	Part No	Dimension in. (mm)	
		A	B
2	MHWA -02	2.54	5.05
3	MHWA -03	5.08	7.59
4	MHWA -04	7.62	10.13
5	MHWA -05	10.16	12.67
6	MHWA -06	12.70	15.21
7	MHWA -07	15.24	17.75

No of Ways	Part No	Dimension in. (mm)	
		A	B
8	MHWA -08	17.78	20.29
9	MHWA -09	20.32	22.83
10	MHWA -10	22.86	25.37
11	MHWA -11	25.40	27.91
12	MHWA -12	27.94	30.45
13	MHWA -13	30.48	33.20

