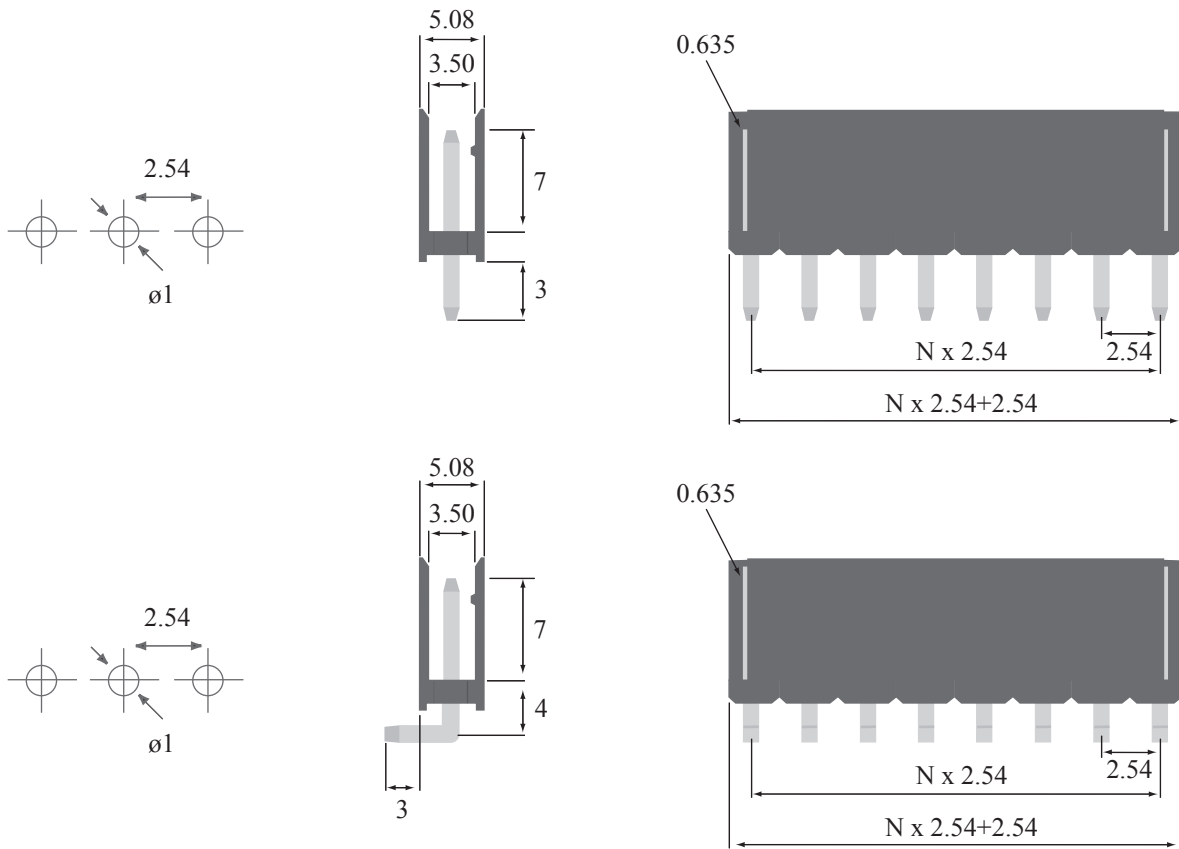


HE13/HE14 Walled Pin Headers

2-40 Ways Available
 Mates with MHE Series Housings
 Contact 0.40mm Square Pin
 Temperature Range -40°C to +150°C
 Current Rating 3A AC, DC
 Withstand Voltage 500AC

UL 94VO Black Polyester Insulator
 Tin or Gold Plating Available
 Insulation Resistance 1,000M Ω

RoHS Compliant



Unit mm

