

**NEW**

# Super Slim Tri Full Colour SMD LEDs

Chip Size Surface Mount LED

Height 0.35mm

Ideal for applications requiring an Ultra Thin Device

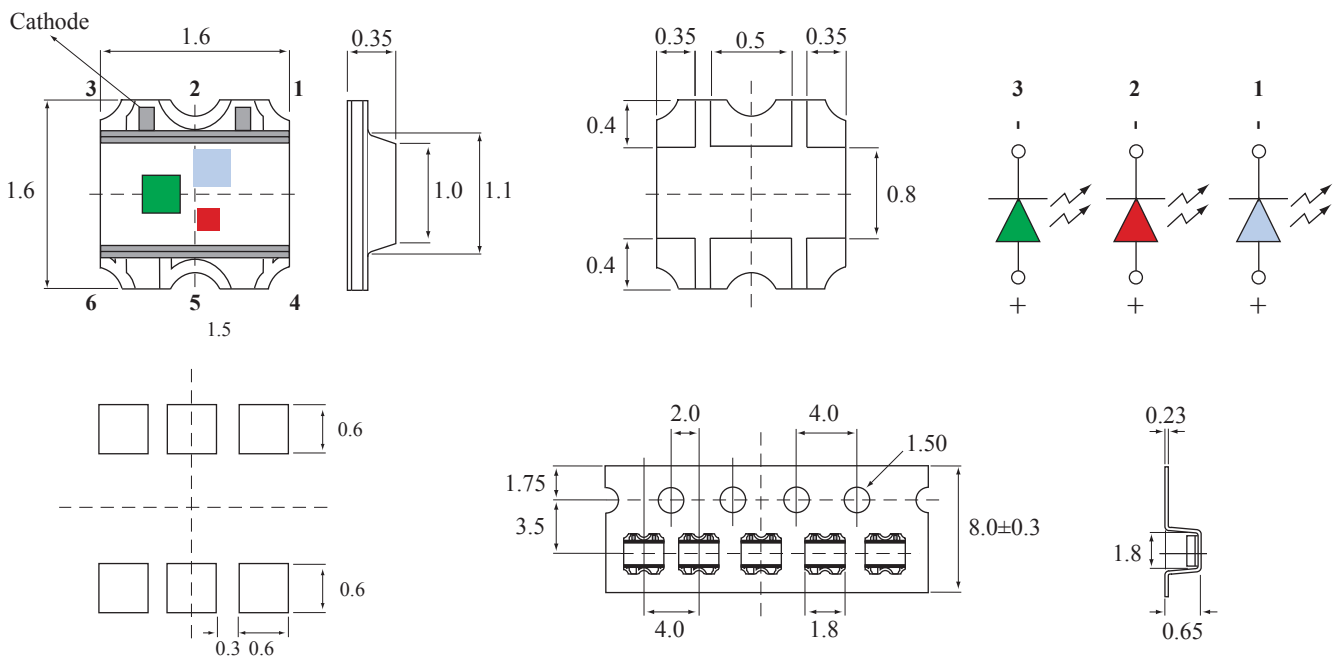
Applications include Membrane Switches, Flexible Circuits, Keypads, Switch & LCD Backlighting

8mm Tape & Reel compatible with Automated Placement equipment

2,000 Pieces per Reel

Moisture Resistant Packaging

Pb-Free & RoHS Compliant



Part Number	Power Dissipation	Peak Forward Current	Continuous Forward Current	Reverse Voltage	Operating Temp Range	Storage Temp Range	Reflow Soldering Temp
ML159NVV-HRBGBWT	100mW	80mA	40mA	5V	-40°C ~ +85°C	-40°C ~ +100°C	260°C for 5 Sec
	130mW	100mA	30mA	5V	-40°C ~ +85°C	-40°C ~ +100°C	260°C for 5 Sec
	130mW	100mA	30mA	5V	-40°C ~ +85°C	-40°C ~ +100°C	260°C for 5 Sec

Part Number	Lighting Colour	Die Material	V <sub>F</sub>			Peak Wavelength typ (nm)	I <sub>V</sub>			Viewing Angle (deg)
			I <sub>F</sub> (mA)	typ (V)	max (V)		I <sub>F</sub> (mA)	min (mcd)	typ (mcd)	
ML159NVV-HRBGBWT	Hyper Red	AlGaInp	20	2.0	2.4	625	20	63	100	120°
	Brilliant Green	InGaN	20	3.5	4.0	518	20	140	300	120°
	Blue	InGaN	20	3.5	4.0	468	20	42	80	120°