

# MFWCA Series Female Wire Crimp Contact

**Ideal for connecting discrete wire  
to Membrane Switches/Flat Cable**

**Use with Housings MHW A or MHEWA**

**Quantity : 15,000 Pieces Per Reel**

**Material : Phosphor Bronze, Brass**

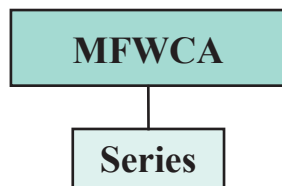
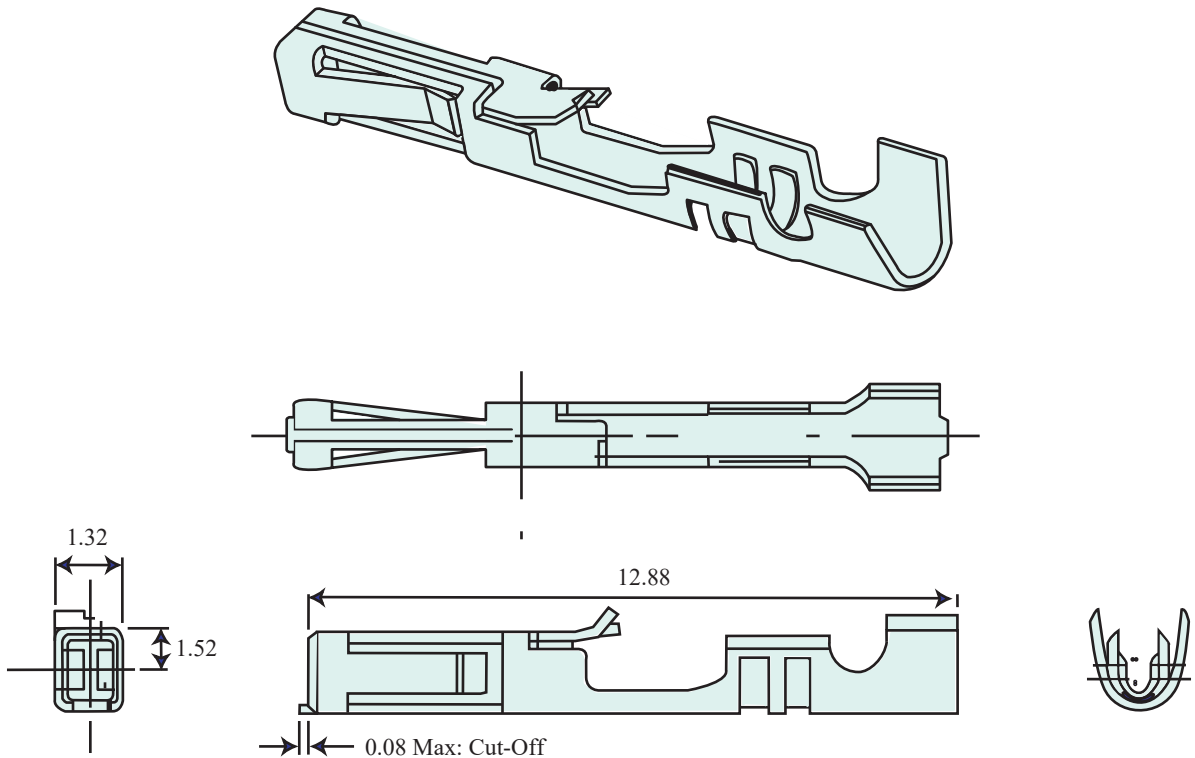
**22~30 AWG Acceptable Wire Gauge**

**Finish : Tin Plated 40 $\mu$  min**

**Hardness : H**

**Thickness : 0.2mm**

**RoHS Compliant**



—

