

NEW



Polarized & Locking Housing MH1L Series

Designed for use on Membrane
Switches, Flexible Circuits, Jumper
Cables, Sensors, Textile Ribbons etc

Suitable for use with Long Square
Male Contacts MSMC410 & MRSMC756

Mates with MHL, MHM, MHJ and
Industry Standard Housings

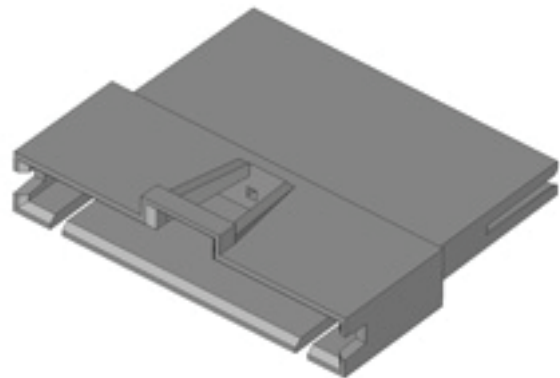
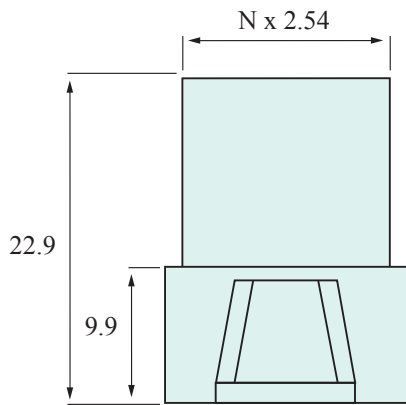
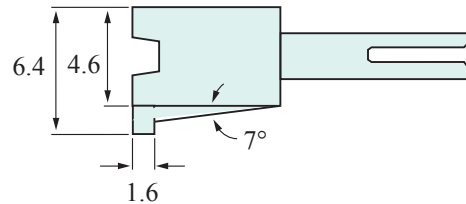
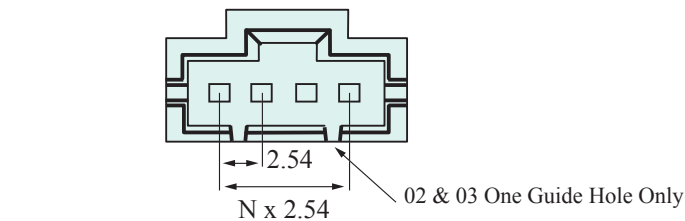
2.54mm Pitch

UL 94V-O Classified

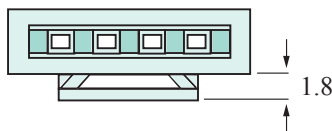
Thermoplastic with Glass Fibre

Contact your Local Office for Application/
Crimping Equipment

RoHS Compliant



Unit : mm



MH1L

Series

XX

No of Ways (2-25)

MEMCON (Asia) Limited
Units 5/6 6/F Westley Square
48 Hoi Yuen Rd Kwun Tong Hong Kong
T +852 3741 1411 F +852 3747 8980
www.memcon.asia sales@memcon.asia

MEMCON Limited
Unit 8 Campus Five Third Avenue Letchworth
Hertfordshire SG6 2JF United Kingdom
T +44 1462 371477 F +44 1462 677499
www.memcon.eu sales@memcon.eu

MEMCON North America
6000 Red Arrow Hwy Unit I
Stevensville Michigan 49127 USA
T +1 269 281 0478 F +1 269 593 5952
www.memcon.net sales@memcon.net