

NEW



Polarized & Locking 1.27mm Double Row Housing MH937

Designed for use on Membrane Switches, Flexible Circuits, Jumper Cables, Sensors, Textile Ribbons etc

Mates with Industry Standard 0.40mm Walled Pin Headers

Suitable for use with Female Contacts

1.27mm Pitch

UL 94V-O Classified

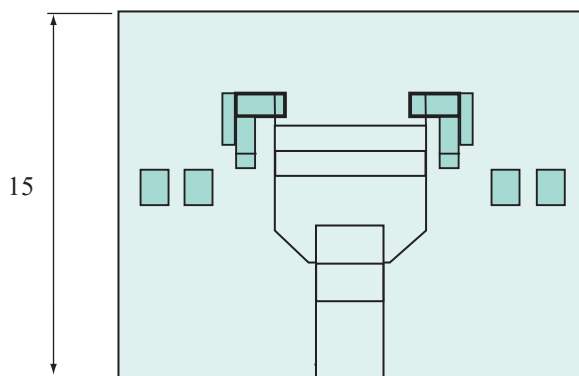
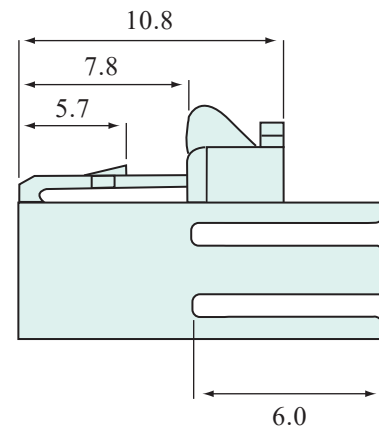
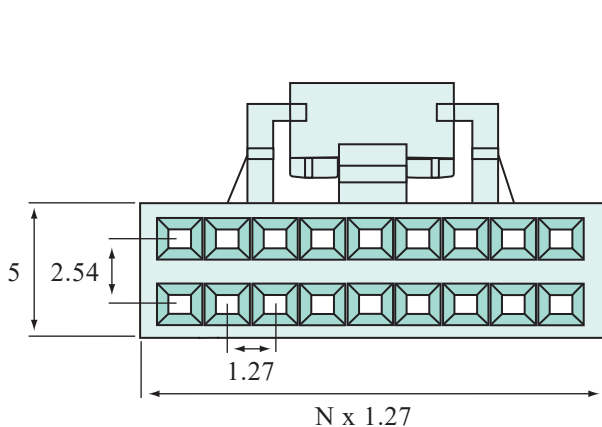
Thermoplastic with Glass Fibre

Contact your Local Office for Application/Crimping Equipment

Non Polarized and Non Latching

Variations also Available

RoHS Compliant



Unit : mm

MH937
Series

— **XX**
No of Ways 8 (2x4) - 100 (2x50)

MEMCON (Asia) Limited
Units 5/6 6/F Westley Square
48 Hoi Yuen Rd Kwun Tong Hong Kong
T +852 3741 1411 F +852 3747 8980
www.memcon.asia sales@memcon.asia

MEMCON Limited
Unit 8 Campus Five Third Avenue Letchworth
Hertfordshire SG6 2JF United Kingdom
T +44 1462 371477 F +44 1462 677499
www.memcon.eu sales@memcon.eu

MEMCON North America
4500 Red Arrow Hwy Unit E
Stevensville Michigan 49127 USA
T +1 269 281 0478 F +1 269 593 5952
www.memcon.net sales@memcon.net