

1206 Super Slim SMD LEDs for Membrane Switches

0.35mm High Super Slim LEDs
ideal for keeping Spacer Thickness to a
minimum in Membrane Applications

Wide Brightness & Colour Range

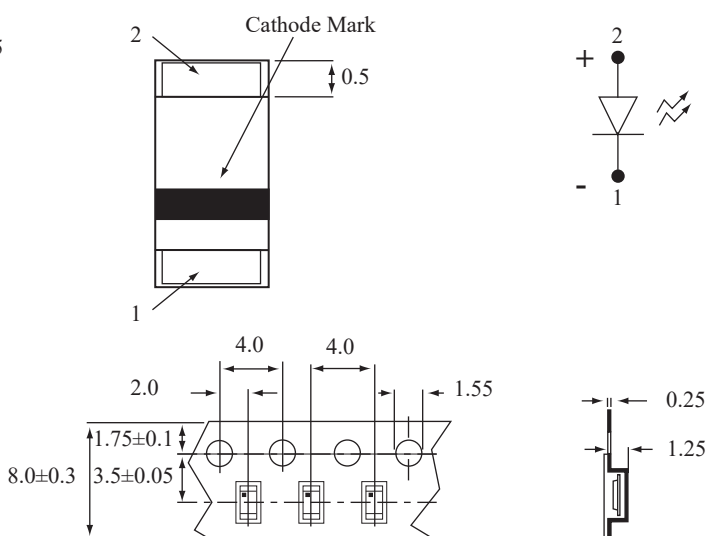
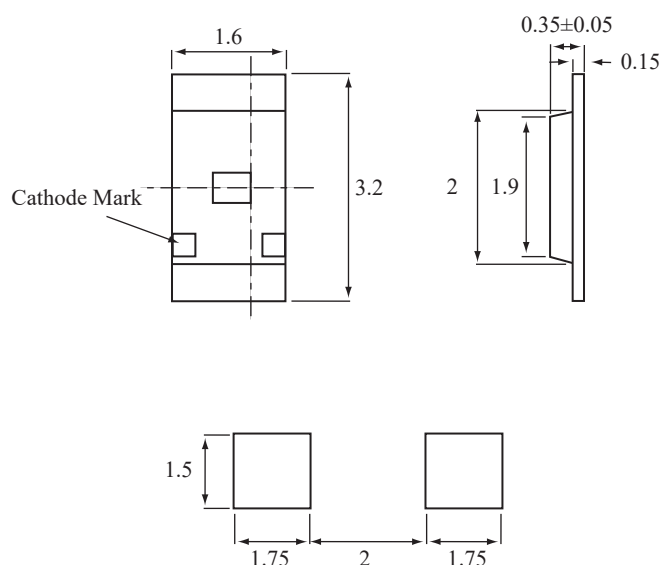
Colour Diffused Lens also Available

ESD 2000V for Blue & White
Other colours 4000V

8mm Tape & Reel for Automated Placement

2,000 Pieces per Reel

RoHS Compliant



Part Number	Power Dissipation	Peak Forward Current	Continuous Forward Current	Reverse Voltage	Operating Temp Range	Storage Temp Range	Soldering Temp
ML153N-RWT	78mW	150mA	30mA	5V	-40°C ~ +85°C	-40°C ~ +85°C	260°C for 10 Sec
ML153N-OWT	72mW	100mA	30mA	5V	-40°C ~ +85°C	-40°C ~ +85°C	260°C for 10 Sec
ML153N-YWT	78mW	100mA	30mA	5V	-40°C ~ +85°C	-40°C ~ +85°C	260°C for 10 Sec
ML153N-GWT	78mW	100mA	30mA	5V	-40°C ~ +85°C	-40°C ~ +85°C	260°C for 10 Sec
ML153G-BWT	120mW	100mA	30mA	5V	-40°C ~ +85°C	-40°C ~ +85°C	260°C for 10 Sec
ML153G-WWT	99mW	100mA	30mA	5V	-40°C ~ +85°C	-40°C ~ +85°C	260°C for 10 Sec

Part Number	Lighting Colour	Die Material	V _F			Peak Wavelength typ (nm)	Dominant Wavelength typ (nm)	I _v			Viewing Angle (deg)
			I _F (mA)	typ (V)	max (V)			I _F (mA)	min (mcd)	typ (mcd)	
ML153N-RWT	Red	AlGaInP	20	2.4	2.6	650	630	20	35	90	130°
ML153N-OWT	Amber	AlGaInP	20	2.0	2.4	618	610	20	30	110	130°
ML153N-YWT	Super Yellow	AlGaInP	20	2.0	2.6	592	590	20	35	135	130°
ML153N-GWT	Super Green	AlGaInP	20	2.1	2.6	570	574	20	25	70	130°
ML153G-BWT	Super Blue	GaN	20	3.5	4.0		470	20	35	100	130°
ML153G-WWT	White	GaN	20	3.5	4.0			20	110	300	130°