

NEW



MEMCON

MPTBWR Series Single Row Thru Hole Right Angle Walled Latching Pin Headers

4-50 Ways Available

Mates with MH545 Housings

Contact 0.40mm Square Pin

Temperature Range -40°C to +125°C

Insulation Resistance 1,000MΩ

Standard Gold Plated on Contact Area



Current Rating 2A AC

Withstanding Voltage 900VRMS

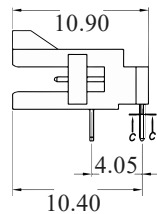
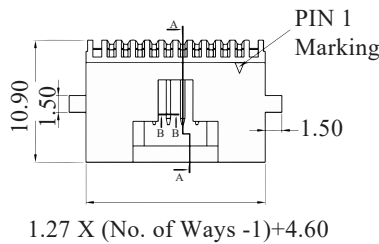
Voltage Rating 300VRMS

PA9T UL 94VO Black

RoHS Compliant



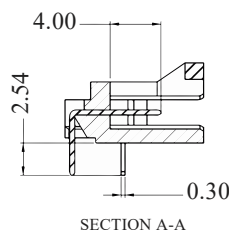
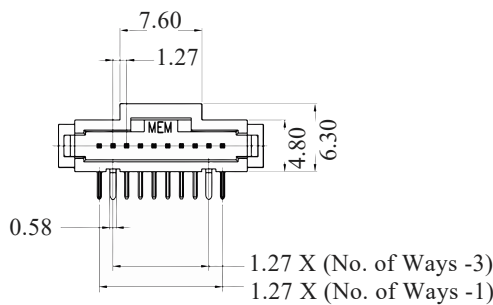
Outline Dimension



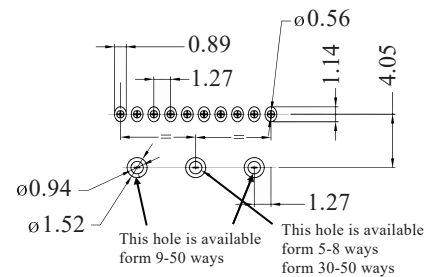
Mating Connector



MH545



Recommended PCB Layout



MEMCON (Asia) Limited
Units 5/6 6/F Westley Square
48 Hoi Yuen Rd Kwun Tong Hong Kong
T +852 3741 1411 F +852 3747 8980
www.memcon.asia sales@memcon.asia

MEMCON Limited
Unit 8 Campus Five Third Avenue Letchworth
Hertfordshire SG6 2JF United Kingdom
T +44 1462 371477 F +44 1462 677499
www.memcon.eu sales@memcon.eu

MEMCON North America
4500 Red Arrow Hwy Unit E
Stevensville Michigan 49127 USA
T +1 269 281 0478 F +1 269 593 5952
www.memcon.net sales@memcon.net