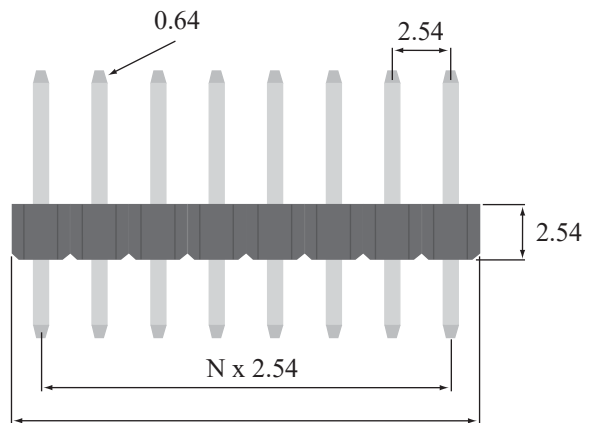
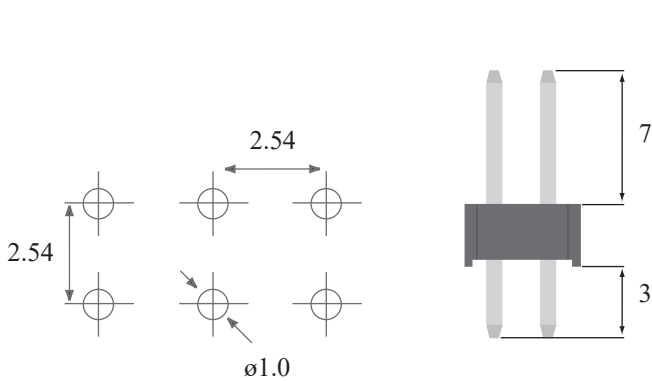
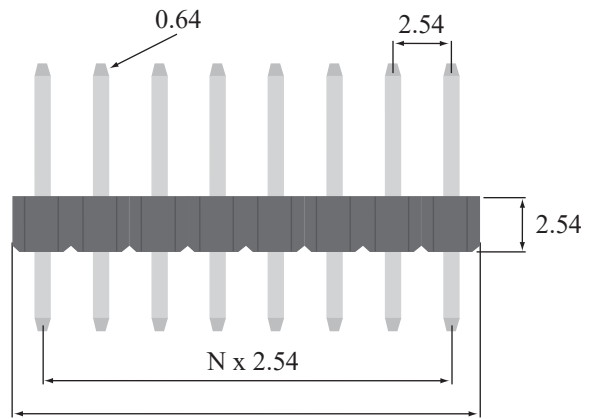
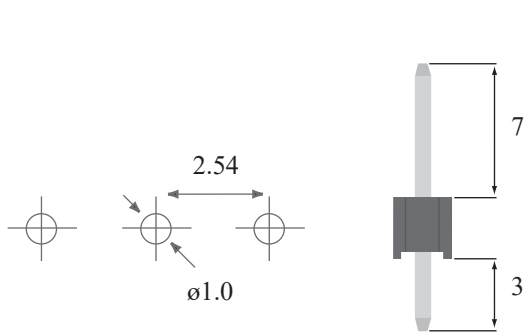


# Straight Pin Headers

**2-40 Ways Available**  
**Mates with MHF Series Housings**  
**Contact 0.64mm Square Pin**  
**Temperature Range -40°C to +150°C**  
**Current Rating 3A AC, DC**  
**Withstand Voltage 500AC**

**UL 94VO Black Polyester Insulator**  
**Tin or Gold Plating Available**  
**Insulation Resistance 1,000M Ω**

**RoHS Compliant** 



Unit mm

