

# 0.3mm FPC/FFC SMD Bottom Contact ZIF Connector

### Specifications:

Current Rating : 0.2 Amp Max  
Voltage Rating : 30V Max  
Operating Temperature  
Range : -25°C ~+85°C

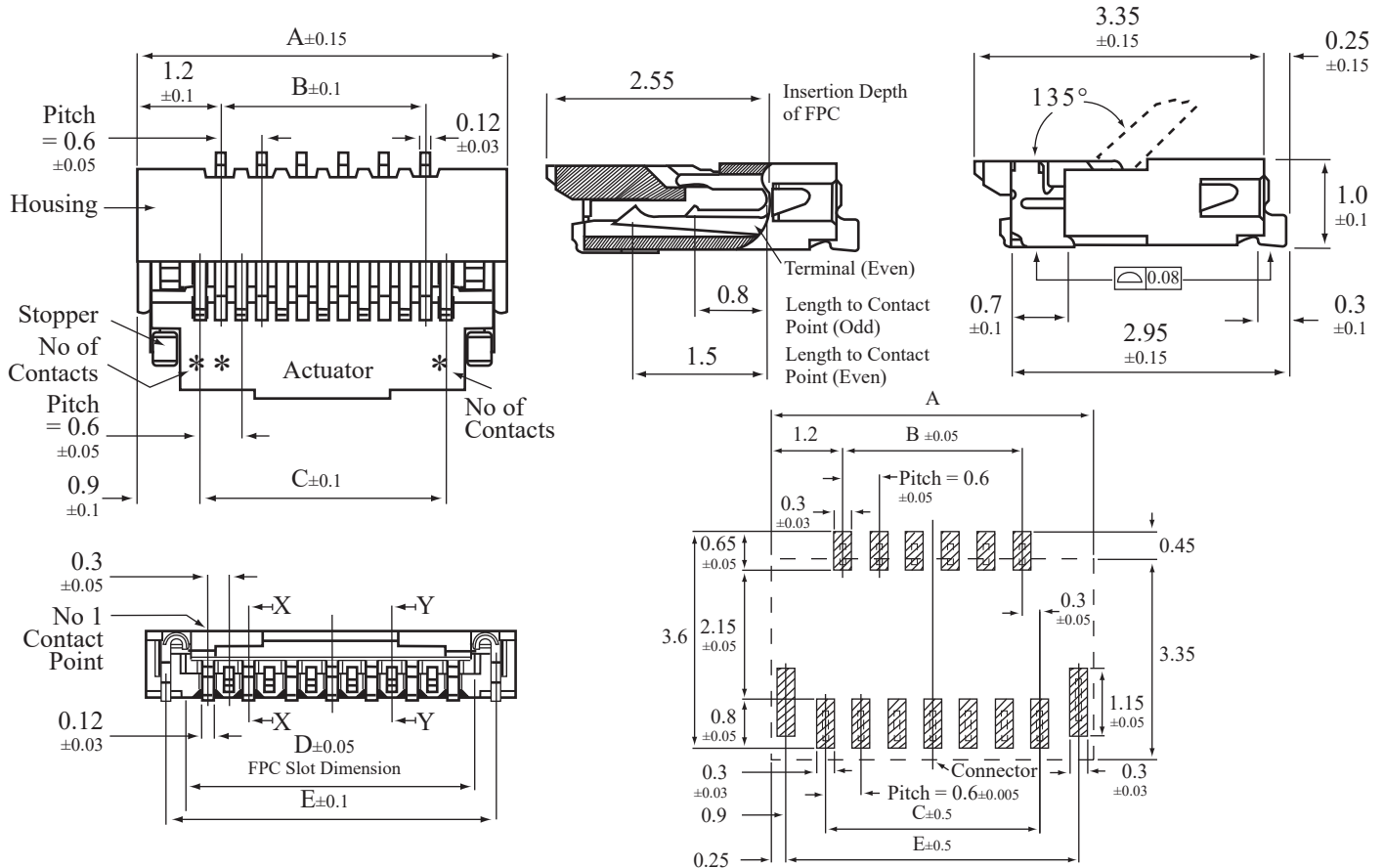
### Material and Finish:

Contact : Phosphor Bronze  
Housing : LCP UL 94V-0  
Actuator : LCP UL 94V-0  
Plating : Tin  
or 3U" Gold over Nickel  
(Add T or G to end of Part No)

### Packaging:

Standard : Tape & Reel  
(Add TR to end of Part No)

RoHS Compliant



Part No	No of Contacts	DIM A	DIM B	DIM C	DIM D	DIM E	Part No	No of Contacts	DIM A	DIM B	DIM C	DIM D	DIM E
MZC030-13-BC	13	5.4	3.0	3.6	4.23	4.9	MZC030-35-BC	35	12.0	9.6	10.2	10.83	11.5
MZC030-15-BC	15	6.0	3.6	4.2	4.83	5.5	MZC030-37-BC	37	12.6	10.2	10.8	11.43	12.1
MZC030-19-BC	19	7.2	4.8	5.4	6.03	6.7	MZC030-39-BC	39	13.2	10.8	11.4	12.03	12.7
MZC030-21-BC	21	7.8	5.4	6.0	6.63	7.3	MZC030-41-BC	41	13.8	11.4	12.0	12.63	13.3
MZC030-23-BC	23	8.4	6.0	6.6	7.23	7.9	MZC030-45-BC	45	15.0	12.6	13.2	13.83	14.5
MZC030-25-BC	25	9.0	6.6	7.2	7.83	8.5	MZC030-49-BC	49	16.2	13.8	14.4	15.03	15.7
MZC030-27-BC	27	9.6	7.2	7.8	8.43	9.1	MZC030-51-BC	51	16.8	14.4	15.0	15.63	16.3
MZC030-29-BC	29	10.2	7.8	8.4	9.03	9.7	MZC030-57-BC	57	18.6	16.2	16.8	17.43	18.1
MZC030-31-BC	31	10.8	8.4	9.0	9.63	10.3	MZC030-71-BC	71	22.8	20.4	21.0	21.63	22.3
MZC030-33-BC	33	11.4	9.0	9.6	10.23	10.9							

### MEMCON (Asia) Limited

Units 5/6 6/F Westley Square  
48 Hoi Yuen Rd Kwun Tong Hong Kong  
T +852 3741 1411 F +852 3747 8980  
www.memcon.asia sales@memcon.asia

### MEMCON Limited

Unit 8 Campus Five Third Avenue Letchworth  
Hertfordshire SG6 2JF United Kingdom  
T +44 1462 371477 F +44 1462 677499  
www.memcon.eu sales@memcon.eu

### MEMCON North America

4500 Red Arrow Hwy Unit E  
Stevensville Michigan 49127 USA  
T +1 269 281 0478 F +1 269 593 5952  
www.memcon.net sales@memcon.net